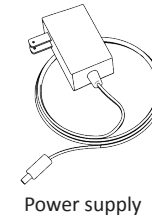


# KEVLYN™ PUMPS OPD 350

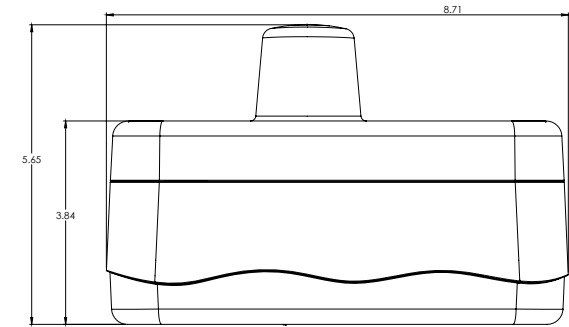
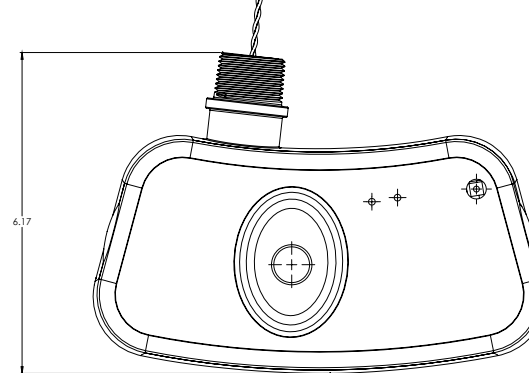
## SPECIFICATIONS



\* Additional 1/2" tubing and connector may be required.



### OPD350 DIMENSIONS

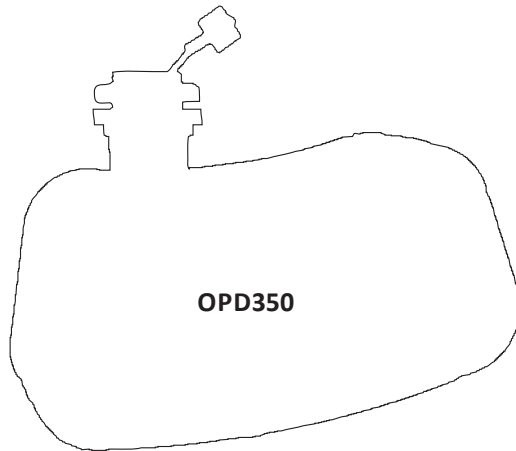


### ELECTRICAL/SYSTEM REQUIREMENTS

Electrical requirement GFCI 120v 60hz A/C

System requirements to monitor the pump and receive activity notifications on the mobile device:

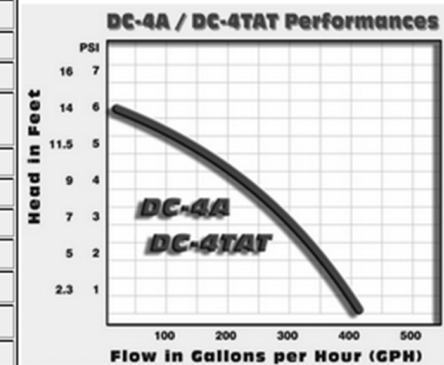
1. The pump needs to be within range of a permanent Wi-Fi signal that has full-time internet access.
2. A mobile device (phone, tablet) with the Kevlyn Pumps mobile app running Android 9 or newer or iOS 9.3 or newer.



### PUMP SPECIFICATIONS

Description	DC-4A / DC-4TAT
Power supply required	12v DC or 24v DC
Motor, full load Amps (fuse size)	2.0 Amps
Motor type	Permanent Magnet
Pump leads & length	18 Ga. 56" 2 leads (red = +, black = -)
Dimensions	2-1/8" x 2-1/8" x 5-1/4"
Max. liquid temp.	+ 160° F
Minimum temp.	+ 40° F
Pump material	FDA Ultraform plastic head ABS Motor housing
Motor shaft material	416 S.S.
Ports (Discharge DC-4)	1/4" or 3/8" MPT
(Discharge DC-4B)	3/8" Barbed
(Suction DC-4A, DC-4TAT)	Screened or 1/2" MPT
Gasket	Nitrile™
Shaft seal	Nitrile™
"O" rings	Neoprene
Hardware	18-8 S.S.
Shipping weight	14 oz.
Note: Specifications subject to change without notice.	

MODEL	1 FT.	3 FT.	5 FT.	7 FT.	9 FT.	11 FT.	Shut Off
THREADED-INLET	410	390	330	250	175	100	15.2 FT.
SCREENED-INLET	340	300	250	190	110	40	12 FT.



**KEVLYN™**  
**PUMPS OPD350**  
Overflow and Monitoring Pumps

KEVLYN™ PUMPS, LLC | PO Box 338 | Paoli | PA 19301 | KevlynPumps.com

#### ⚠ WARNING

Do not use to pump flammable or explosive fluids such as gasoline, fuel oil, kerosene, etc. Do not use in flammable or explosive atmospheres. Pump should only be used with liquids compatible with pump component materials. Failure to follow this warning can result in personal injury and/or property damage.

This device complies with part 15 of the FCC Rules. Operation is subject to the following two conditions:  
(1) This device may not cause harmful interference, and  
(2) This device must accept any interference received, including interference that may cause undesired operation.



Contains FCC ID: 2AC7Z-ESPWROOM02  
CAN ICES-3 (B)/NMB-3(B)

US Patent Pending. Made in the USA